

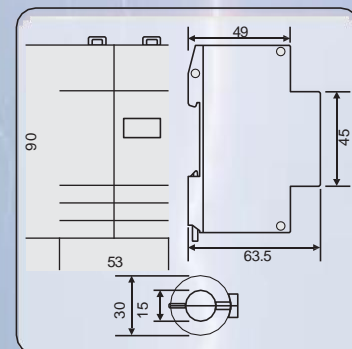
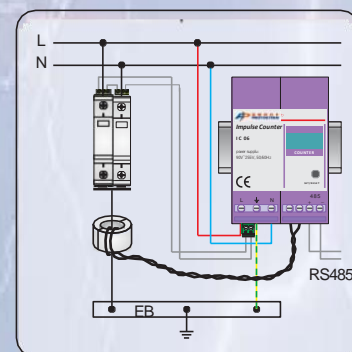
Impulse Counter & Faults Reporter

IC 06

For counting the number of current discharges by surge protective devices to earth.
The unit is equipped with an RM (Remote) input port, to detect any changes from the SPD RM terminal, and remote location, distance approx. 300m maximum. as well as being able to communicate via RS485 the number of impulse counter recorded, and remote control for set and reset operation.

- 3 standard module width
- Inductive loop (feed through with the earthing line of surge protective devices)
- 4 digits LCD display, with set and reset function
- RS485 remote communication function
- 1m long inductive twisted pair

Type	IC06
Response behaviour of impulse current	> 1kA, rise time 8-10 μ s
Sequence of impulse	> 1s
LCD indicator	0-9999
Inductive line	Twisted-pair 1m long
Power supply	AC 90V-255V, 50Hz/60Hz
RS485 interface	RS485 remote communication display and control
Operating temperature range	-10°C...+50°C
Mounting	35mm DIN rail
Enclosure material	Purple thermoplastic, UL94-V0
Dimension	3 mods
Certification	CE (LVD, EMC)
Ordering information	
Type	IC06
Art.No.	810406
Packing unit	1 pc(s)



IC06_Dimension diagram